

EVO

Explosion Relief Valves Application: Engine Protection

General Description

The Explosion Relief Valve EVO is a reusable, flameless venting device, which is designed for the protection of personnel and equipment in case of oil mist or gas explosions in the crankcase of gas, diesel or dual-fuel engines. In the event of an explosion, the venting device opens by lifting the valve plate, and directs the vented explosion through the flame arrester, preventing flames from being expelled to the surrounding areas. The relief valve type EVO is equipped with a conical spring, immediately after the pressure event, the valve plate closes and resets.



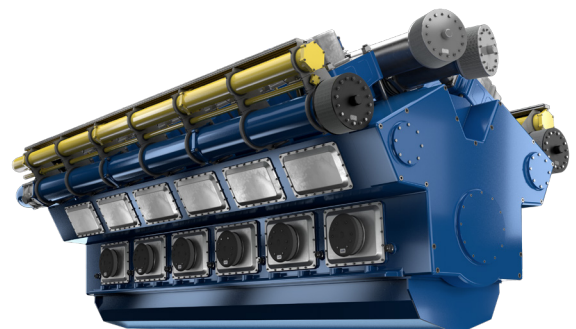
Key Features

- Certified according international standards
- Flameless explosion pressure relief.
- Re-closing: The fast re-closing function mitigates a secondary explosion caused by fresh air-inrush and gas leakage into the environment.
- Re-useable: No shutdown required after an activation.
- Flexibility due to variable installation position.

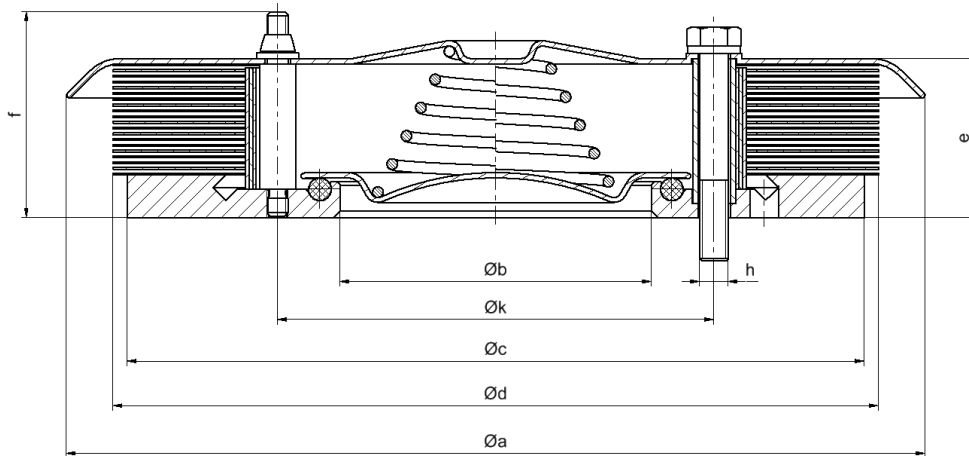


Application

Explosions can occur in the crankcase of combustion engines, as well as large compressors, gearbox and transmissions. Internal components of these devices cause the oil to form a cloud or mist throughout the confined spaces. In the case of gas burning or dual-fuel engines, gas can also escape into the crankcase or other confined spaces of these applications creating a dangerous environment for explosions. The use of relief valves is a proven way to mitigate equipment damage from over-pressure and flame and prevent injury to personnel.



Technical Data



Type	Geom. Relief Area [cm ²]	Dimensions						Connection			Approx Weight [kg]
		a [mm]	b [mm]	c [mm]	d [mm]	e [mm]	f [mm]	No. of bolts	h Thread	k P.C.D. [mm]	
98 EVO	59.4	240	87	206	214	44.5	57.5	4	M8 or 5/16"	122	5
122 EVO	95	290	110	236	244	56.5	70	6	M10 or 3/8"	150	8
150 EVO	143	325	135	266	274	71	87	6	M10 or 3/8"	180	8
162 EVO	177	320	150	277	285	79	95	6	M10 or 3/8"	190.5	11
173 EVO	201	340	160	303	307	78	94	6	M10 or 3/8"	203	13
224 EVO	346	400	210	362	365	104.5	120	6	M12 or 1/2"	255	22
266 EVO	499	469	252	409	417	134	156	6	M12 or 1/2"	302	35

*Delivery scope does not include bolts required for mounting.

Additional Notes

- All standard range components are made of carbon steel. Valve cover, valve plate and valve seat are additionally coated.
- The standard range's specific opening pressure amounts to 0,05bar - 0,1 bar.
- For valve data see label on the cover.

Contact Information

Europe, UK, Africa & Middle East:

HOERBIGER Wien
T: +43 1 22440 2290
Sales.ev@hoerbiger.com

China:

HOERBIGER (Shanghai) Co., Ltd.
Tel: 0086-21 6485 0855
info-cn-safety@hoerbiger.com

North & South America:

IEP Technologies
T: +1413.896.1485
info@ieptechnologies.com

Japan:

HOERBIGER NIPPON K.K.
T +81 476-37-3762
info-hnkk-oem@hoerbiger.com

Korea:

HOERBIGER Korea Ltd.
T: +82-2-431-5867
info-hsk@hoerbiger.com



HOERBIGER Wien GmbH
Seestadtstraße 25, 1220
Vienna, Austria
Tel.: +43 1 22440 2290
E-mail: sales.ev@hoerbiger.com
www.hoerbiger.com